

NEPTUNE
PRIVÉ/VIP





RB80-EG-gas



RB80-EG



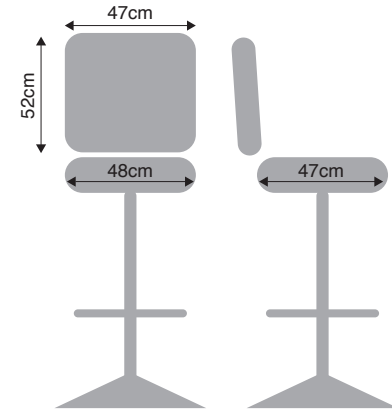
SB80



FL80



FL80W



COMFORT · DURABILITY · QUALITY

- Automotive-grade moulded foam
- Quick-Release seat
- Heavy Duty swivel mechanism or gas-height adjustment
- 7-year Warranty