

APOLLO
PRIVÉ/VIP





RB85-EG-gas



RB85-EG



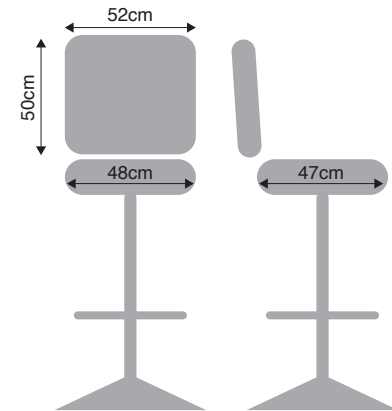
RB85-EG-gas-ARMS



FL85



FL85W



- Automotive-grade moulded foam
- Quick-Release seat
- Protective edge on seat and backrest (optional)
- Heavy Duty swivel mechanism or gas-height adjustment
- 7-year Warranty

COMFORT · DURABILITY · QUALITY